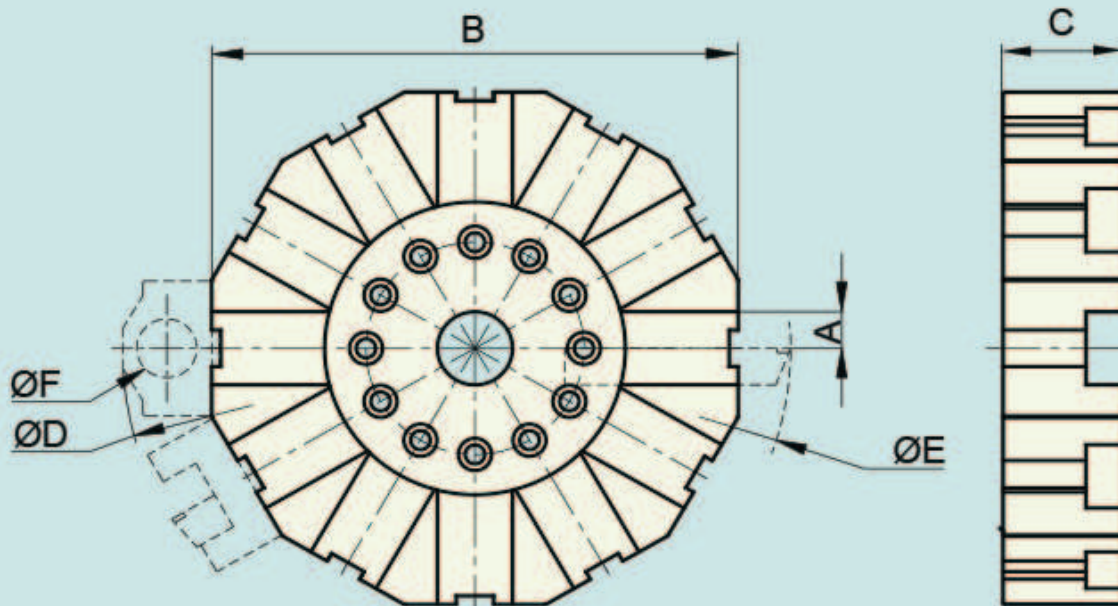




Main Features

- Suitable for BTP and HTP series turrets.
- Available in slotted varieties for 12 station turrets.
- Special tool discs supplied on request.
- Tool holders available with provision for internal coolant supply for Tools with through coolant.

Slotted Tool Disc for 12 Stations



CODE	A	B	C	D	E	F	TURRET TYPE
Specification for 12 Station Slotted Tool Disc							
TD-63-12-16	16	236	52	307	270	25	BTP-63
TD-80-12-20	20	286	62	392	348	32	BTP-80
TD-100-12-25	25	350	82	470	420	40	BTP-100
TD-125-12-32	32	436	97	590	525	50	BTP-125
TD-160-12-40	40	565	126	729	645	60	BTP-160