

# Automatic Tool Changers - Twin Arm type

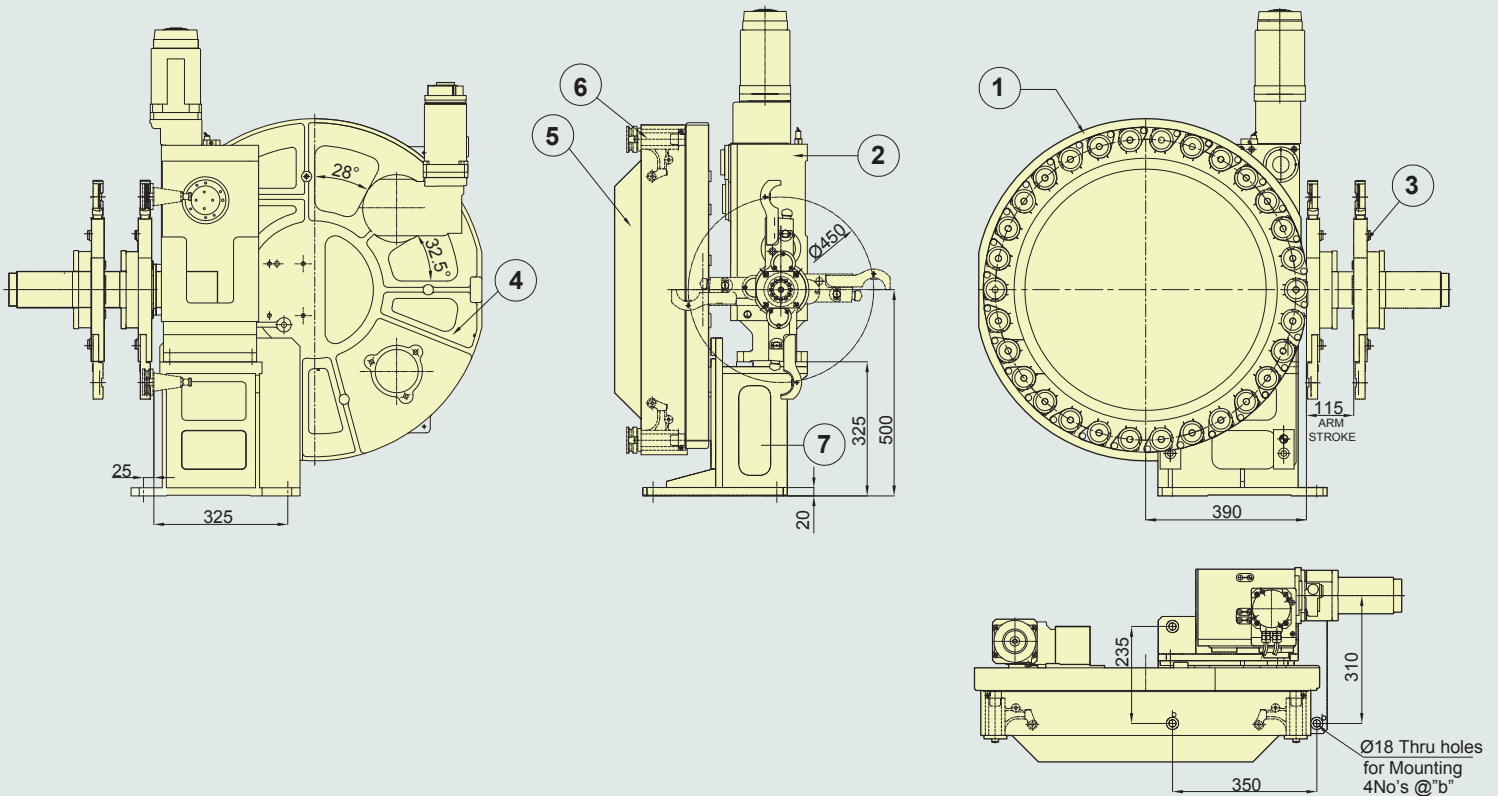


## Drum type ATC for Horizontal Machining Center

### Specifications

Taper	Magazine Capacity	Max. Tool Dia mm	Max. Tool Length mm	Max. Tool Weight kg	Tool Change time sec std.	Gripper Arm Sizes (in mm)	Taper Options
40	20	80	300	8	2.5	300	BT40/SK/ISO CAT/HSK63
	24					350	
	30					400	
50	20	125	400	20	3.0	350	BT50/SK/ISO CAT/HSK100
	24					400	
	30					400	

### Typical Datasheet - ATC4030H-225-90 40Taper 30Tools



- 1.Tool magazine 2.Arm drive unit 3.Gripper arm 4.Magazine drive unit with motor 5.Sheetmetal enclosure(not in scope of supply)  
6. Tool pocket 7.Mounting Bracket

\*\*\*Datasheet & other models on request

\*\*\*Datasheet & other models on request