

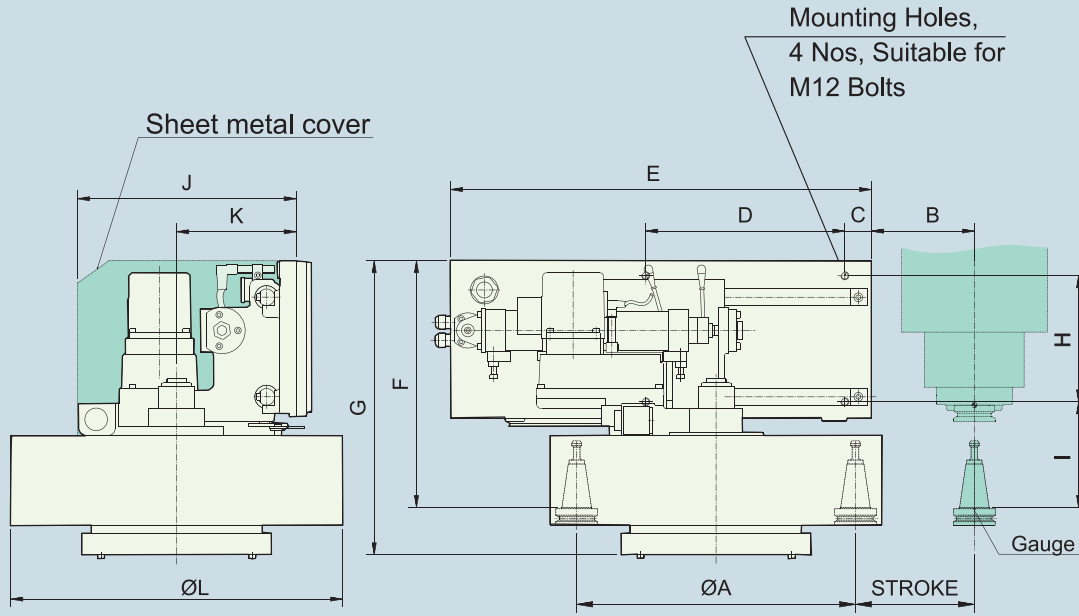
# UATC Umbrella type For Vertical Machining Center



- Easy to mount on the machine.
- Fastest tool change time.

Model	UATC4012 UATC4016	UATC4016A UATC4020 UATC4024
Stroke	200	250
A	420	680
B	155	262
C	40	40
D	300	400
E	634	730
F	372	372
G	443	443
H	190	190
I	159	159
J	329	359
K	180	150
L	500	777

## Typical Datasheet - UATC



Specifications		Units	UATC4012	UATC4016	UATC4016A	UATC4020	UATC4024
Tool Shank			BT-40 / ISO-40				
Number of tools			12	16	16	20	24
Maximum Tool Weight		kg	7	7	7	7	7
Total tool weight		kg	80	80	120	120	120
Stroke		mm	200	200	250	250	250
Maximum Tool Length		mm	250	250	250	250	250
Maximum Tool Dia (Adjacent Pocket Full)		mm	105	80	125	100	80
Maximum Tool Dia (Adjacent Pocket Empty)		mm	130	130	130	130	130
Magazine Index Time @ 50Hz (Adjacent Tool)		sec	0.5	0.5	0.7	0.7	0.7
Magazine Drive Motor 3ph, 415V, 50/60Hz (Other voltages on request)	Power	kVA	1				
	Rated Current	A	1.4				
Air Pressure		kg/cm <sup>2</sup>	4-6				
ATC weight (Without Tools)		kg	55	54	96	95	93

\*\*\*Datasheet & other models on request